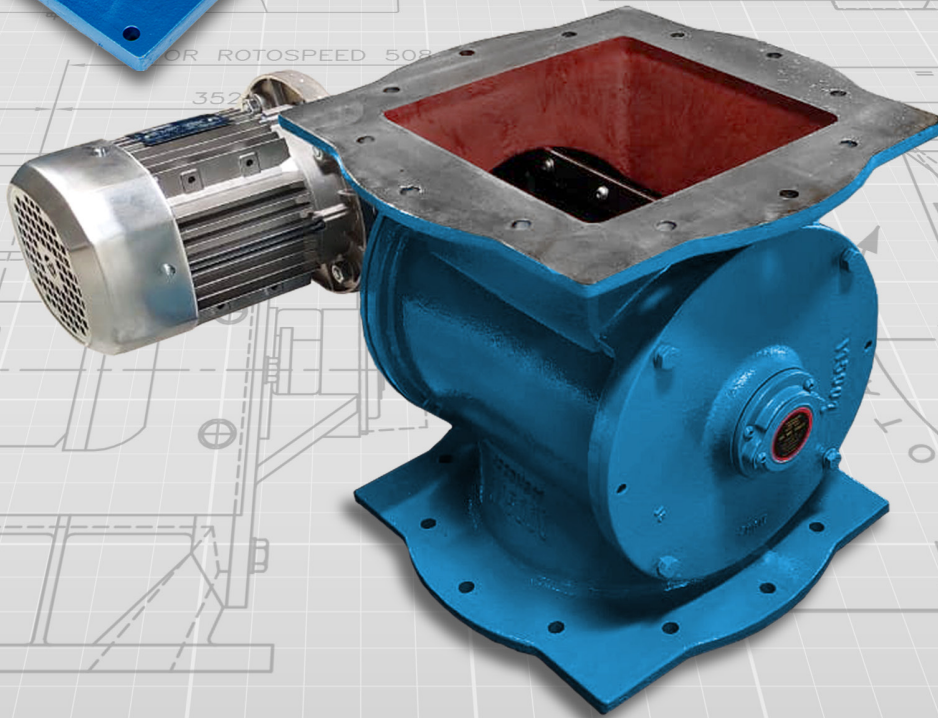
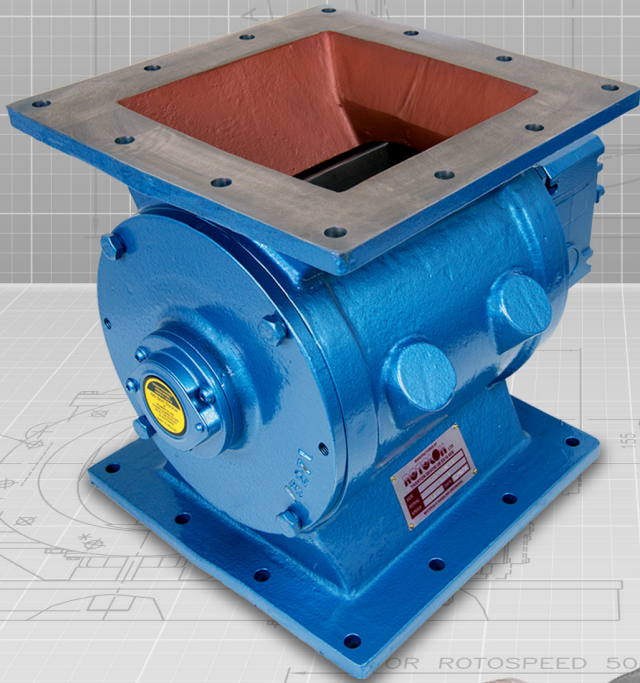


**ROLOK**

everything under control...



DUST COLLECTOR VALVES - RDV

**ROLOK AUSTRALIA PTY LIMITED**

Unit 1  
6 Bonz Place  
Seven Hills  
Sydney NSW2147  
Australia

Tel: +61 2 9620 4735  
Fax: +61 2 9620 4751  
[www.rotolok.com.au](http://www.rotolok.com.au)  
[sales@rotolok.com.au](mailto:sales@rotolok.com.au)



## INTRODUCTION

The Dust Collector Valve is designed specifically for lighter duty applications, such as gravity flow or bottom of dust collectors handling light loads and non-abrasive products. These units have direct drive right angle gearboxes, inboard bearings and lip seals; making them very cost competitive.

These dust collector valves have been engineered and designed as a low cost solution for Cyclone, Bag House and Gravity Feed applications with pressures around +/- 3 psi.

## SPECIFICATION

### BODIES

Cast Iron Precision Bored.  
Standard: Universal flanges to match Square or Circular connections.  
Heavy Duty: Robust with either Square or Circular flanges.

### END COVERS

Cast Iron Precision Machined and Spigot Located into Valve Body

### ROTOR

Fabricated Mild Steel Closed Tip (Shrouded) Type Fully Machined

### BEARINGS

Ball Type Rugged Inboard Sealed for Life

### SHAFT SEAL

Rubber Lip Seal

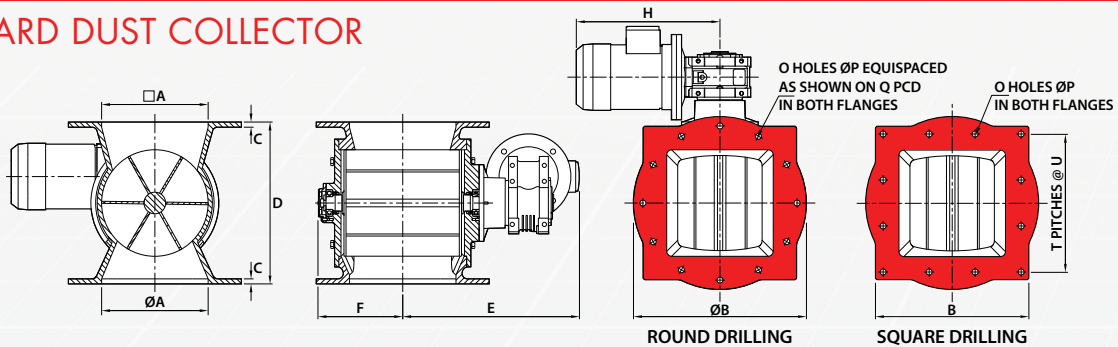
### DRIVE

Motorised Worm Box Shaft Mounted on Rotor and Fitted with Standard IEC Motor TEFC 3PH/50Hz Flange Mounted to Worm Box

### VALVE SPEED

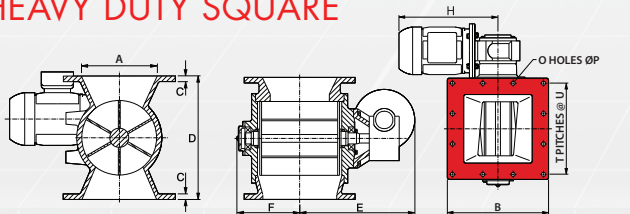
Standard - 28 RPM with 50Hz supply  
Heavy Duty - 23 RPM with 50Hz supply

## STANDARD DUST COLLECTOR



| SIZE | ROUND DRILLING |    |     |     |     |     |     |    |    |     | SQUARE DRILLING |    |    |   |     | All dimensions are in mm |             |         |
|------|----------------|----|-----|-----|-----|-----|-----|----|----|-----|-----------------|----|----|---|-----|--------------------------|-------------|---------|
|      | A              | C  | D   | E   | F   | H   | B   | O  | P  | Q   | B               | O  | P  | T | U   | kW                       | Weight (kg) | lir/rev |
| 150  | 150            | 10 | 250 | 317 | 139 | 289 | 285 | 8  | 22 | 241 | 250             | 12 | 12 | 3 | 70  | 0.37                     | 40          | 2.2     |
| 200  | 200            | 12 | 310 | 347 | 169 | 289 | 343 | 8  | 22 | 298 | 300             | 12 | 12 | 3 | 90  | 0.37                     | 60          | 6       |
| 250  | 250            | 12 | 380 | 415 | 199 | 337 | 406 | 12 | 25 | 362 | 360             | 12 | 14 | 3 | 108 | 0.55                     | 92          | 12      |
| 300  | 300            | 14 | 465 | 445 | 229 | 337 | 485 | 12 | 25 | 432 | 440             | 12 | 18 | 3 | 128 | 0.55                     | 144         | 21      |

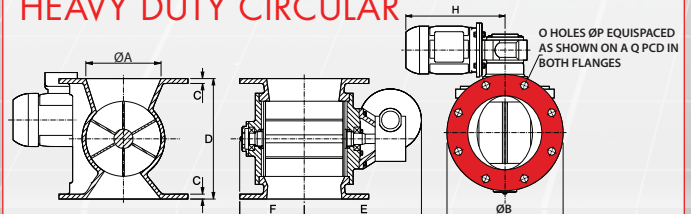
## HEAVY DUTY SQUARE



All dimensions are in mm

| SIZE | A   | B   | C  | D   | E   | F   | H   | O  | P  | T | U   | kW   | Weight (kg) | lir/rev |
|------|-----|-----|----|-----|-----|-----|-----|----|----|---|-----|------|-------------|---------|
| 150  | 152 | 250 | 12 | 280 | 296 | 146 | 356 | 12 | 12 | 3 | 70  | 0.37 | 69          | 2.2     |
| 200  | 203 | 300 | 12 | 330 | 320 | 172 | 356 | 12 | 12 | 3 | 90  | 0.37 | 83          | 6       |
| 250  | 254 | 370 | 18 | 390 | 350 | 204 | 382 | 12 | 18 | 3 | 108 | 0.55 | 116         | 12      |
| 300  | 305 | 440 | 18 | 465 | 388 | 235 | 382 | 12 | 18 | 3 | 128 | 0.55 | 175         | 21      |

## HEAVY DUTY CIRCULAR



All dimensions are in mm

| SIZE | A   | B   | C  | D   | E   | F   | H   | O  | P  | Q   | kW   | Weight (kg) | lir/rev |
|------|-----|-----|----|-----|-----|-----|-----|----|----|-----|------|-------------|---------|
| 150  | 154 | 285 | 12 | 270 | 296 | 146 | 356 | 8  | 22 | 241 | 0.37 | 69          | 2.2     |
| 200  | 203 | 320 | 12 | 310 | 320 | 172 | 356 | 8  | 18 | 280 | 0.37 | 83          | 6       |
| 250  | 254 | 368 | 15 | 380 | 350 | 204 | 382 | 8  | 18 | 320 | 0.55 | 116         | 12      |
| 300  | 305 | 440 | 19 | 465 | 388 | 235 | 382 | 12 | 22 | 395 | 0.55 | 175         | 21      |

Dimensions are approximate and subject to change without notice  
Planning-in detail for general guidance only  
(To cover safety aspects ask for our safety leaflets)  
Drillings are Rotolok standards. Variations can be made.

